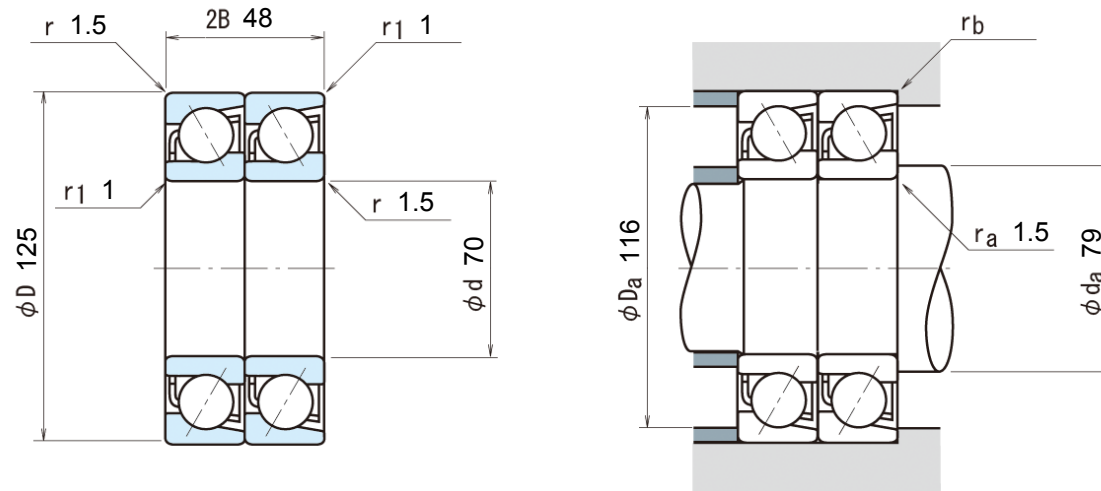


Boundary Dimensions (mm)					Basic Load Ratings (kN)		Limiting Speeds (min ⁻¹)		Bearing Numbers	NSKHPS
<i>d</i>	<i>D</i>	<i>2B</i>	<i>r</i> min.	<i>r1</i> min.	<i>C_r</i>	<i>C_{0r}</i>	Grease	Oil		
70	125	48	1.5	1	124	127	3600	5000	7214AWDT	



Factor	Mass (kg) approx.
<i>f₀</i>	
-	2.22